

FROM CLOSED CYCLE COOLING WATER HEAT EXCHANGERS
CCWM01001 SH01 012

CWS-1145-14BBA5

CWS-1111-60AWA

CWS-1112-36AWA

CWS-1116-30

CWS-1116-40

BLOWDOWN TO WASTEWATER TANK
WCCM01001 SH03 001

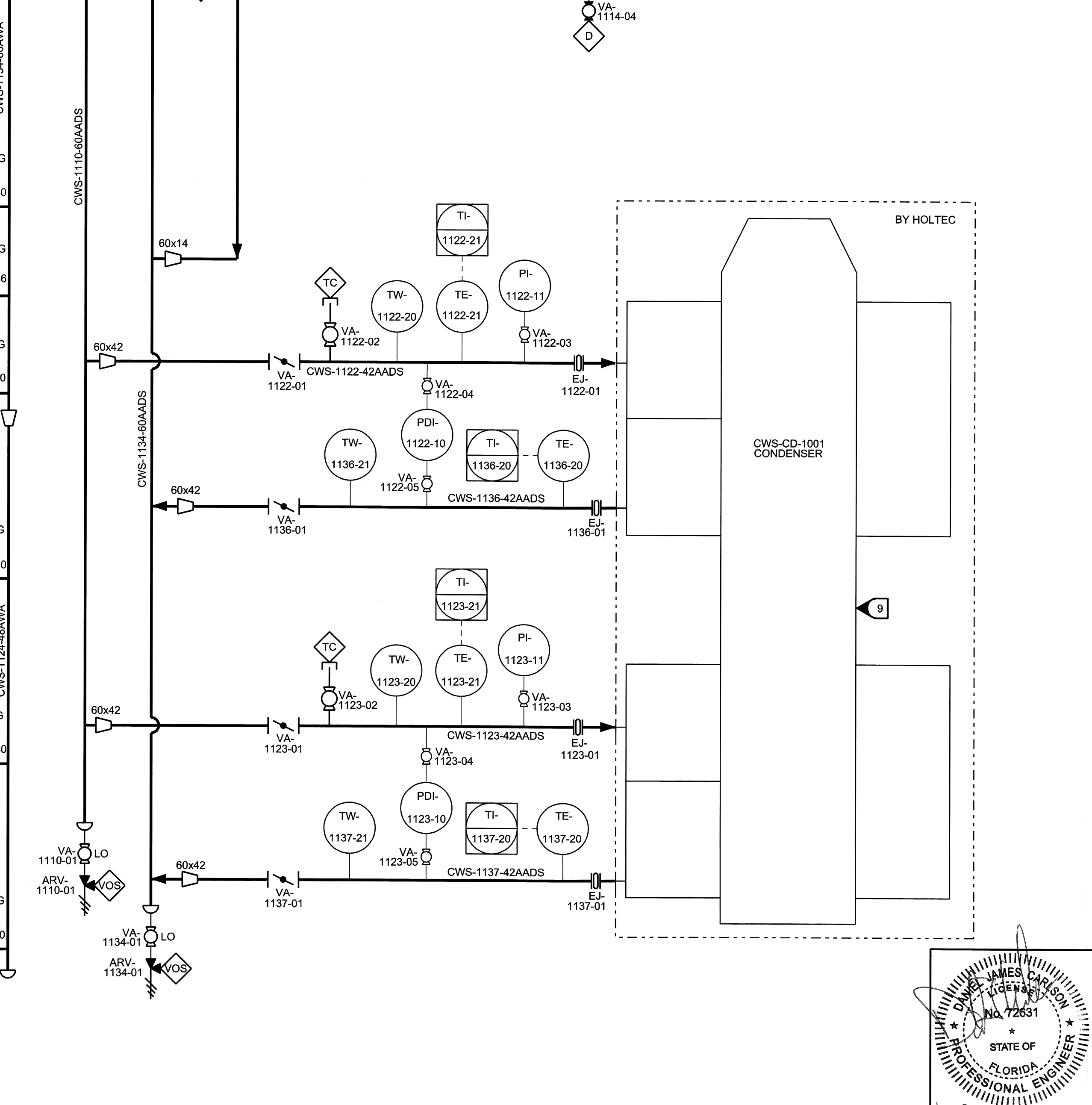
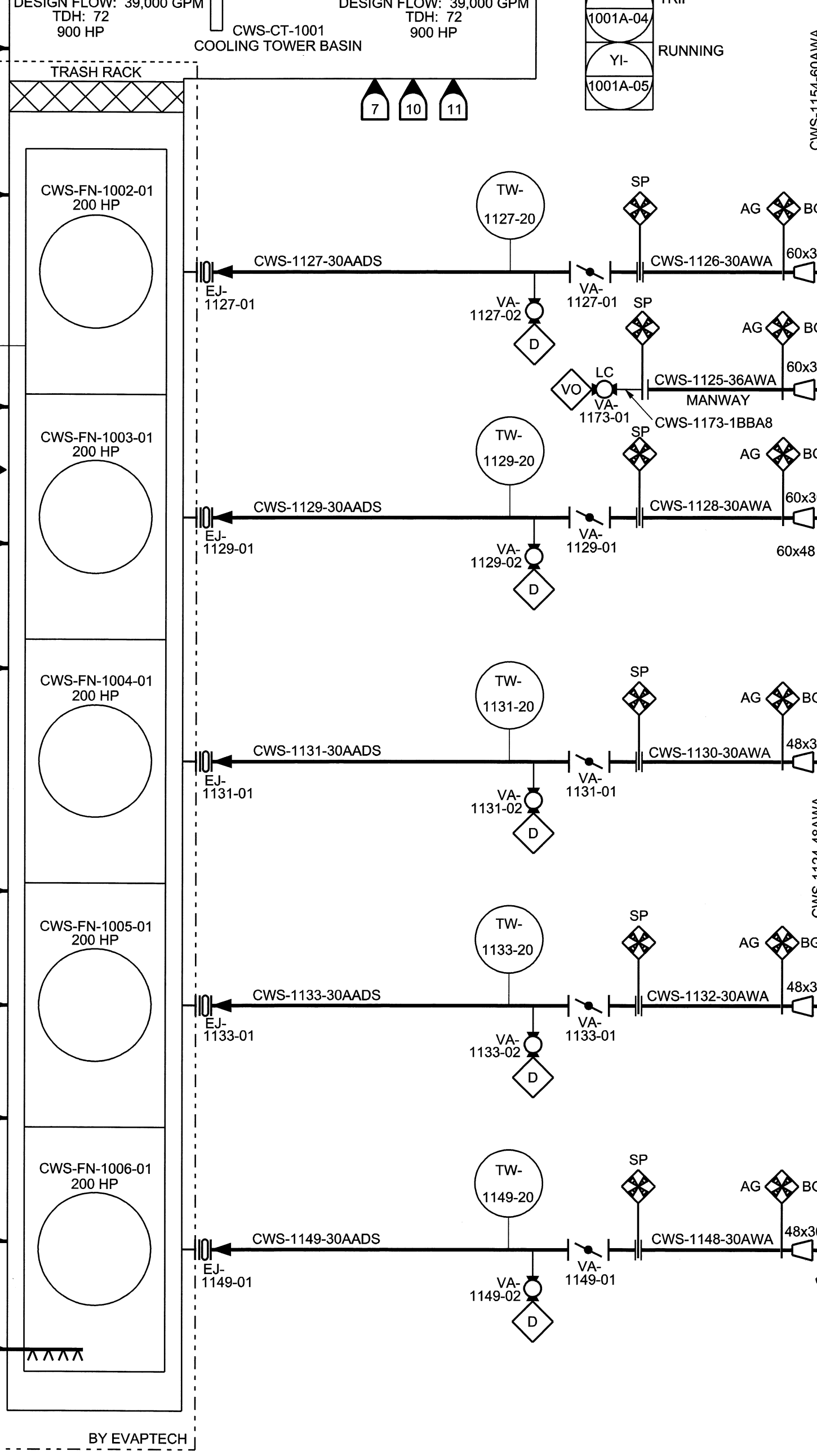
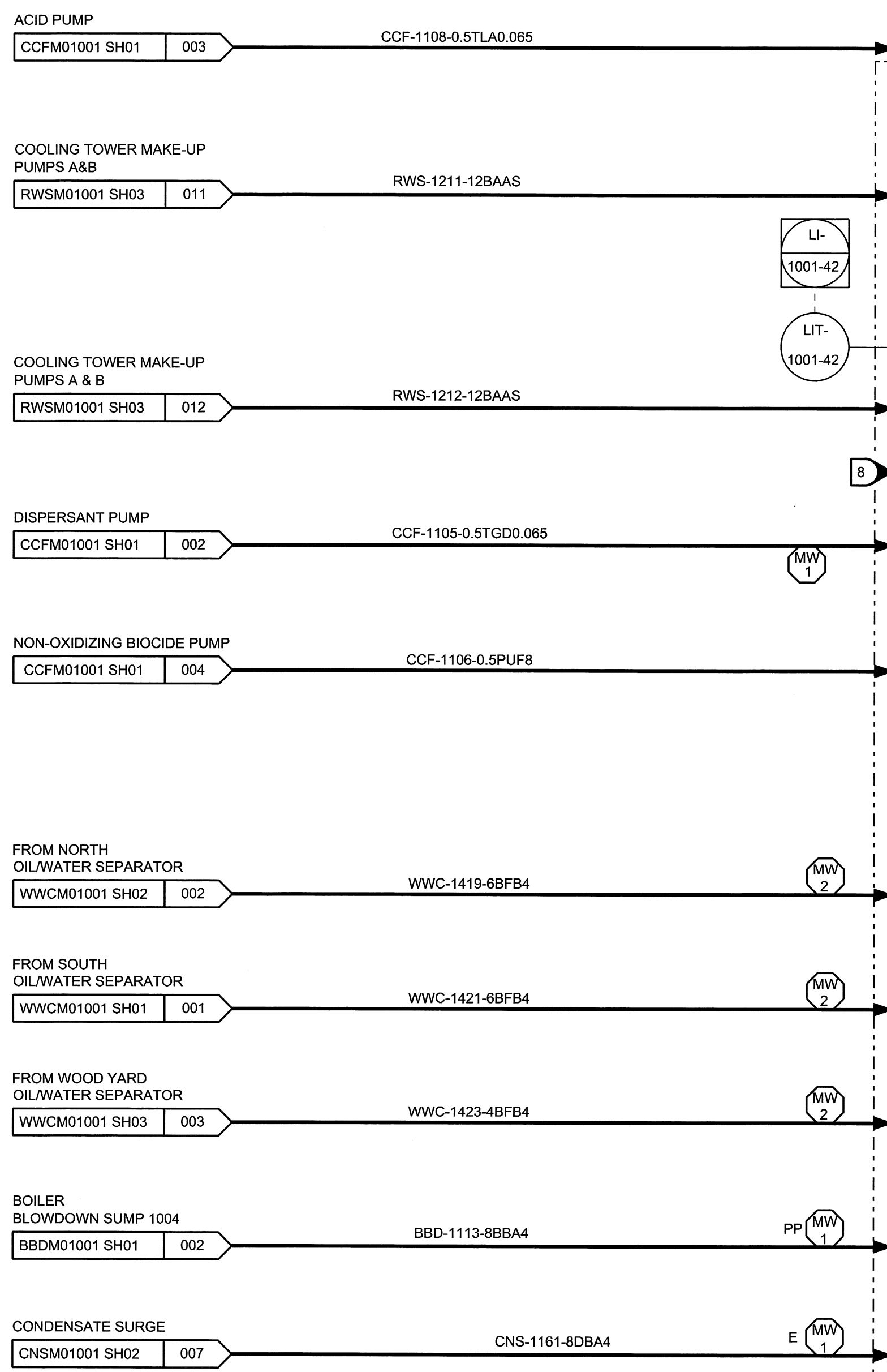
TO CLOSED CYCLE COOLING WATER HEAT EXCHANGERS
CCWM01001 SH01 010

GENERAL NOTES

1. CONCRETE PIPE WALL THICKNESS SHALL BE IN ACCORDANCE WITH THE LIMITS PRESCRIBED IN AWWA C301 STANDARD.
2. MINIMUM WALL THICKNESS ON 60" AID PIPING SHALL BE 0.375"

REFERENCE DRAWINGS

1. ANNOTATIONS, ABBREVIATIONS, ASSOCIATIONS PROCESS AND INSTRUMENTATION DIAGRAM MECHANICAL & INSTRUMENTATION SYMBOLOLOGY D014200-AAAM01001 SH01 AND SH02
2. CLOSED CYCLE COOLING WATER PROCESS AND INSTRUMENTATION DIAGRAM D014200-CCWM01001 SH01-SH02
3. RAW WATER TREATMENT PROCESS AND INSTRUMENTATION DIAGRAM D014200-RWSM01001 SH01-SH03
4. SAMPLING & ANALYSIS PROCESS AND INSTRUMENTATION DIAGRAM D014200-CCFM01001 SH01
5. BOILER BLOWDOWN PROCESS AND INSTRUMENTATION DIAGRAM D014200-BBDM01001 SH01
6. WASTEWATER COLLECTION PROCESS AND INSTRUMENTATION DIAGRAM D014200-WCCM01001 SH01-SH04
7. CIRCULATING WATER PUMPS-FLOWERVE GENERAL NOTES M014200-CWSM00048 SH01 RA
8. COOLING TOWER-EVAPTECH SCHEMATIC PLAN VIEW M014200-CTWA00001 SH01 RB
9. CONDENSER-HOLTEC GENERAL ARRANGEMENT DRAWING M014200-CNDAA0001 SH01-SH08 RO - R1
10. CIRCULATING WATER PUMPS-FLOWERVE GENERAL ARRANGEMENT M014200-CWSM00049 SH01 RA
11. CIRCULATING WATER PUMPS-FLOWERVE SECTIONAL DRAWING M014200-CWSM00050 SH01 RA



THE CLOUDED AREAS SHOWN ON THIS "ISSUED FOR RECORD PURPOSES" DRAWING ARE BASED UPON INFORMATION FURNISHED BY THE CONTRACTOR. THIS CLOUDED INFORMATION THAT WAS PROVIDED BY THE CONTRACTOR OR OTHERS NOT ASSOCIATED WITH THE DESIGN ENGINEER CANNOT BE VERIFIED FOR ACCURACY OR COMPLETENESS. THE ORIGINAL SEALED DRAWINGS ARE ON FILE AT THE OFFICES OF ZACHRY ENGINEERING CORPORATION.

NO.	REVISION	DATE	DRWN	DSND	CHKD	CRKD
4	FOR RECORD PURPOSES	02/27/13	JAM/ML	JTS	JTS	JTS
3	UPDATED INSULATION AND LINE TAGS	7/20/12	TM	ML	DR	AMC
2	GENERAL UPDATES	2/17/12	MSR	ML	FA	REB
1	GENERAL UPDATES	12/02/11	ASN	KR	FTD	AMC
0	ISSUED FOR CONSTRUCTION (WITH HOLDS)					

Gainesville Renewable Energy Center
An American Renewables Company

ZACHRY
ZACHRY ENGINEERING CORPORATION, 101 WEST COLLEGE AVENUE, SUITE 800, DENVER, CO 80202-4299
FLORIDA BOARD OF PROFESSIONAL ENGINEERS CERTIFICATE OF AUTHORIZATION #0778
AMARILLO, TX HOUSTON, TX MINNEAPOLIS, MN OMAHA, NE SHAWANEE, IA
ZACHRY ENGINEERING CORPORATION (ZACHRY) RETAINS ALL RIGHT, TITLE AND INTEREST, IN AND TO ALL INFORMATION INCLUDING, BUT NOT LIMITED TO, ALL INTELLECTUAL PROPERTY DEVELOPED BY, OR ON BEHALF OF, ZACHRY, WHETHER THIS DRAWING, OR ANY INFORMATION CONTAINED HEREIN, SHALL BE REPRODUCED, USED OR RELIED UPON FOR THE PREPARATION OF DRAWINGS OR APPARATUS, OR FOR ANY OTHER PURPOSE, EXCEPT AS EXPRESSLY AUTHORIZED IN WRITING BY ZACHRY.

GAINESVILLE RENEWABLE ENERGY CENTER
CIRCULATING WATER SYSTEM
PROCESS & INSTRUMENTATION DIAGRAM

DESIGN	DESIGNED	CHECKED	CHECKED
ZACHRY	K. BLUTRY/MOWICZ	P. ONELIANCHUK	R. BANKER
APPROVED FOR CONSTRUCTION	DATE	DATE	DATE
10-8-13			

D014200- CWSM01001 01 4